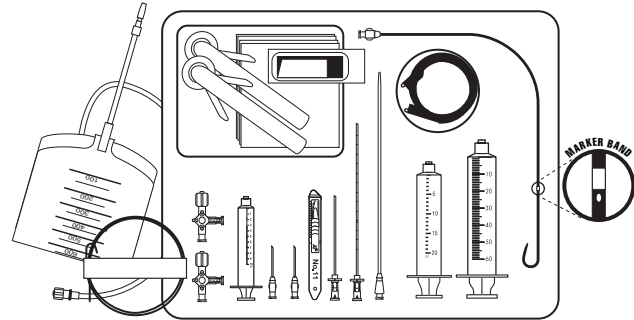


MERIT'S 8.3F PERICARDIOCENTESIS PROCEDURE KITS are designed to assist the clinician in draining fluid from the pericardial sac. Pericardiocentesis is a sterile procedure which should be performed with fluoroscopy, two dimensional echocardiographic, or electrocardiographic monitoring and guidance.

- 1 8.3 French Pigtail or straight catheter, (40cm) with one marker band
- 1 8.5F Dilator 22cm length
- 1 Guidewire: 0.035" (0.89mm) 80cm, 3mmJ, double ended standard PTFE
- 2 3-way Stopcocks large bore
- 1 18G x 1 1/2" Medication Needle.
- 1 25G x 1 1/2" Medication Needle.
- 1 18G x 3" 9 cm Access needle
- 1 18G x 5.9" 15 cm. Access needle.
- 1 10ml Luer lock syringe
- 1 20ml Luer lock syringe
- 1 60ml Luer lock syringe
- 1 1000ml Merit® Disposal Depot™ bag with drainage spout
- 10 4" x 4" (10cm x 10cm) Gauze sponges
- 1 60cm x 64cm Fenestrated drape
- 1 46cm x 66cm Absorbent barrier drape
- 1 Double-ended alligator clip cable
- 1 CSR Drape
- 1 #11 Merit Futura® Scalpel
- 1 3.0 silk suture with curved needle
- 2 3ml Chloraprep® (orange tint) (for use in U.S. kits only)
- 1 Medication label set

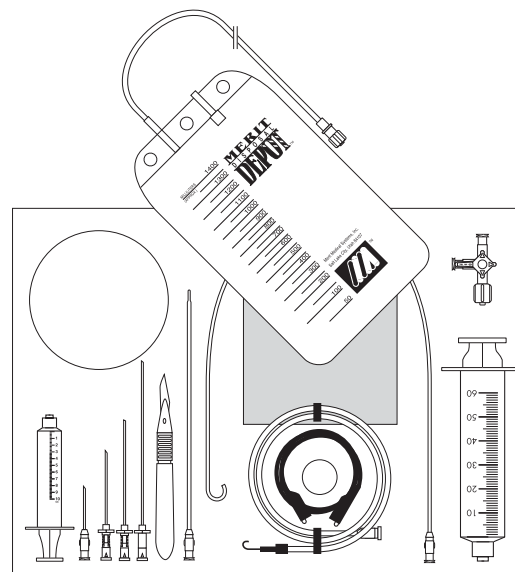


CATALOG NUMBERS PC801* – Pigtail Shape
 PC802* – Straight Shape
 PC803EU - Pigtail Shape - CE Marked
 PC804EU - Straight Shape - CE Marked

Packaged 4 kits per box

MERIT'S 6F PERICARDIOCENTESIS PROCEDURE KITS are designed to assist the clinician in draining fluid from the pericardial sac. Pericardiocentesis is a sterile procedure which should be performed with fluoroscopy, two dimensional echocardiographic, or electrocardiographic monitoring and guidance.

- 1 6F High-flow pigtail or straight catheter (60cm)
- 1 6F Dilator
- 1 Three-way stopcock
- 1 Guide wire 0.035" (0.89mm) x 80cm
- 1 Double ended Heavy Duty PTFE (J & straight)
- 1 22g x 2 3/8" (6cm) Medication Needle
- 1 19g x 1 1/2" (3.8cm) Medication Needle
- 1 18g x 9cm Needle
- 1 18g x 15cm Needle
- 1 10ml Luer lock syringe
- 1 60ml Luer lock syringe
- 1 1400ml Merit Disposal Depot bag with connecting tube
- 10 4" x 4" (10cm x 10cm) Gauze sponges
- 1 40cm x 40cm Fenestrated drape
- 1 46cm x 60cm Absorbent barrier drape
- 1 Double-ended alligator clip cable
- 1 CSR wrap
- 1 #11 Scalpel



CATALOG NUMBERS PC101 6F High-flow pigtail catheter*
 PC201 6F High-flow straight catheter*
 PC100 6F High-flow pigtail catheter - CE marked
 PC200 6F High-flow straight catheter - CE marked

Packaged 4 kit per box

* Not available in countries where CE mark is required.