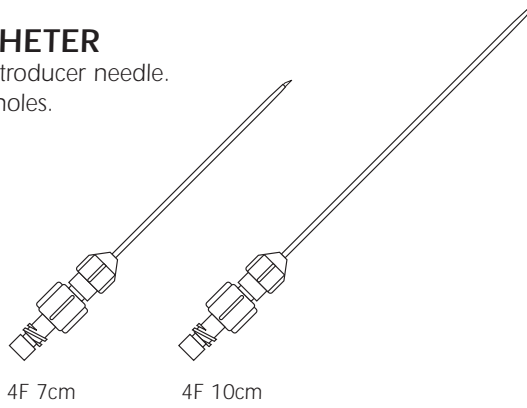


ONE STEP™ CENTESIS CATHETER

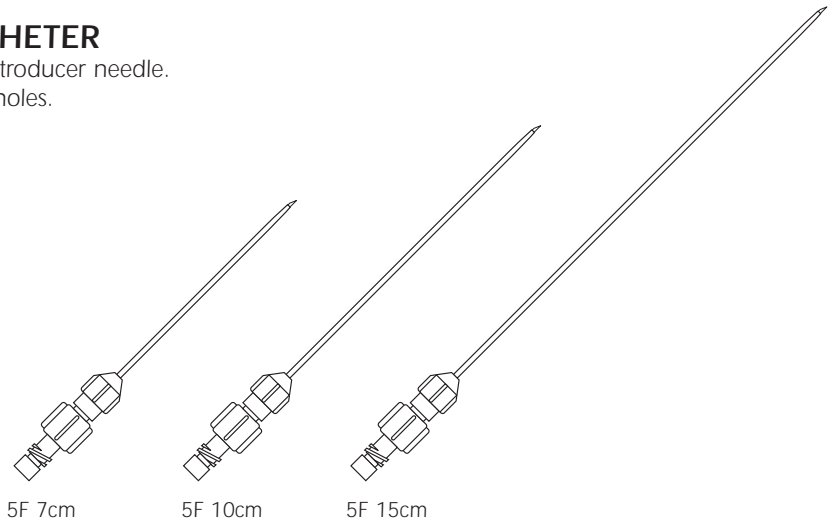
4 French with 20 gauge luer locked introducer needle.
 Catheter has 4 spiral design drainage holes.
 Packaged 5 per box.



CATALOG NUMBERS	OSC-4F-7	OSC-4F-10	SWIVEL NUT
	OSC-4F-7L	OSC-4F-10L	FIXED LUER
	OSC-4F-7NH	OSC-4F-10NH	SWIVEL NUT NO SIDE HOLES
	OSC-4F-7LNH	OSC-4F-10LNH	FIXED LUER NO SIDE HOLES

ONE STEP™ CENTESIS CATHETER

5 French with 19 gauge luer locked introducer needle.
 Catheter has 4 spiral design drainage holes.
 Packaged 5 per box.



CATALOG NUMBERS	OSC-5F-7	OSC-5F-10	OSC-5F-15	SWIVEL NUT
	OSC-5F-7L	OSC-5F-10L	OSC-5F-15L	FIXED LUER
	OSC-5F-7NH	OSC-5F-10NH	OSC-5F-15NH	SWIVEL NUT NO SIDE HOLES
	OSC-5F-7LNH	OSC-5F-10LNH	OSC-5F-15LNH	FIXED LUER NO SIDE HOLES