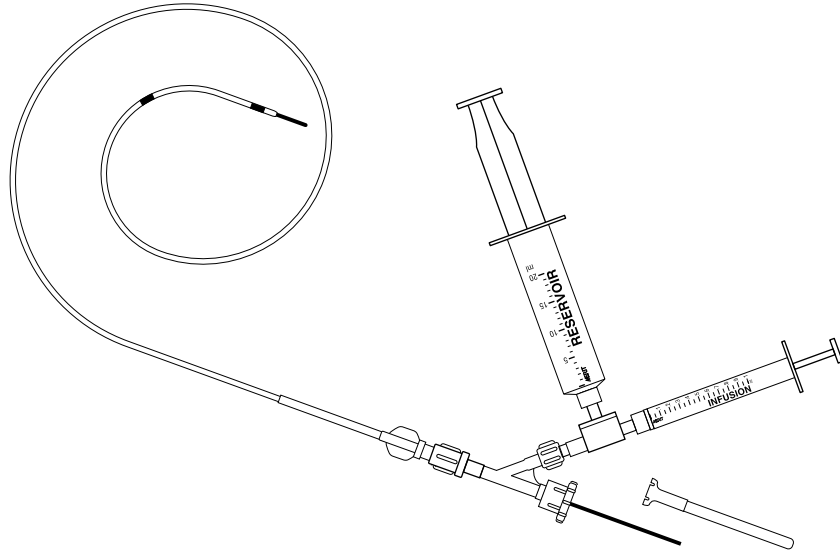
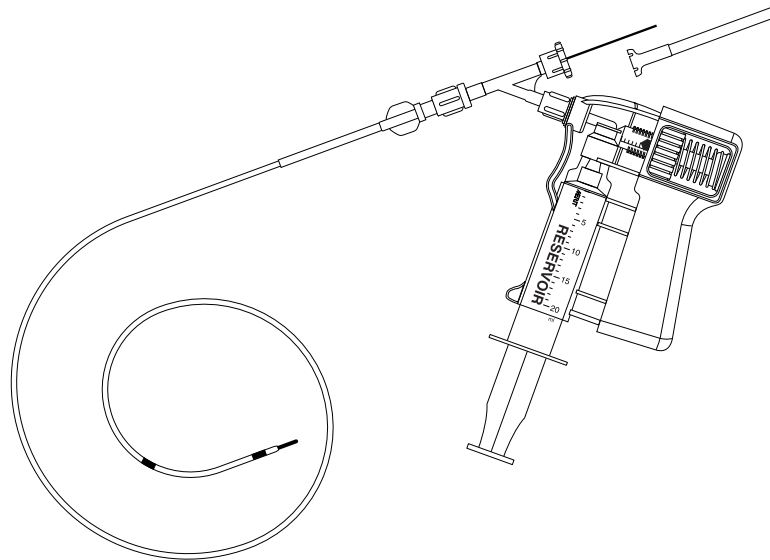


FOUNTAIN® INFUSION SYSTEM consists of the 5 French Fountain® Infusion Catheter, matching occluding wire, check relief valve, AccessPLUS™ Hemostasis Valve, wire protector cap, 1ml infusion syringe and 20ml reservoir syringe. Packaged and sold individually in tray with Tyvek® lid, 5 units per box.



Catheter Length	Infusion Length 5cm	Infusion Length 10cm	Infusion Length 20cm	Infusion Length 30cm	Infusion Length 40cm	Infusion Length 50cm
45cm		FIS5-45-10	FIS5-45-20			
90cm	FIS5-90-5	FIS5-90-10	FIS5-90-20	FIS5-90-30	FIS5-90-40	FIS5-90-50
135cm	FIS5-135-5	FIS5-135-10	FIS5-135-20	FIS5-135-30	FIS5-135-40	FIS5-135-50

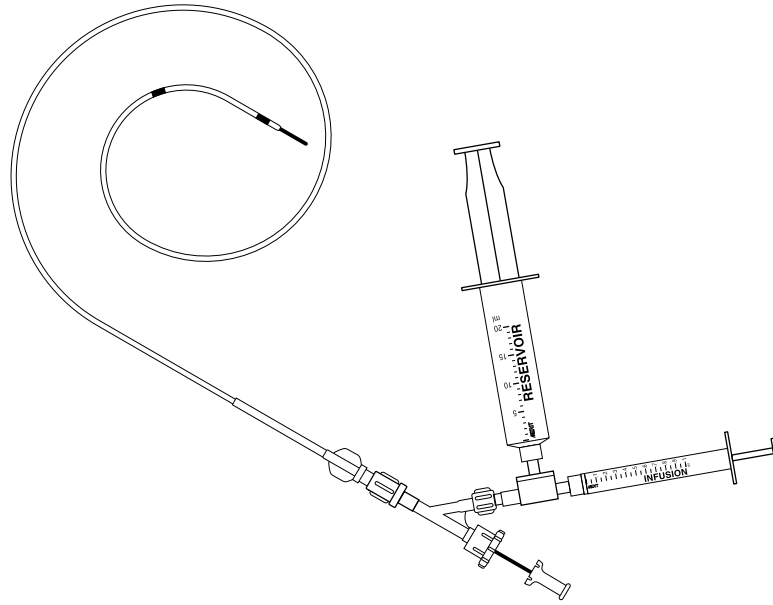
FOUNTAIN® INFUSION SYSTEM WITH SQUIRT® consists of the 5 French Fountain® Infusion Catheter, matching occluding wire, AccessPLUS™ Hemostasis Valve, wire protector cap, 20ml reservoir syringe and Squirt® Fluid Dispensing System. Packaged and sold individually in tray with Tyvek® lid, 5 units per box.



Catheter Length	Infusion Length 5cm	Infusion Length 10cm	Infusion Length 20cm	Infusion Length 30cm	Infusion Length 40cm	Infusion Length 50cm
45cm		FIS5-45-10SQ	FIS5-45-20SQ			
90cm	FIS5-90-5SQ	FIS5-90-10SQ	FIS5-90-20SQ	FIS5-90-30SQ	FIS5-90-40SQ	FIS5-90-50SQ
135cm	FIS5-135-5SQ	FIS5-135-10SQ	FIS5-135-20SQ	FIS5-135-30SQ	FIS5-135-40SQ	FIS5-135-50SQ

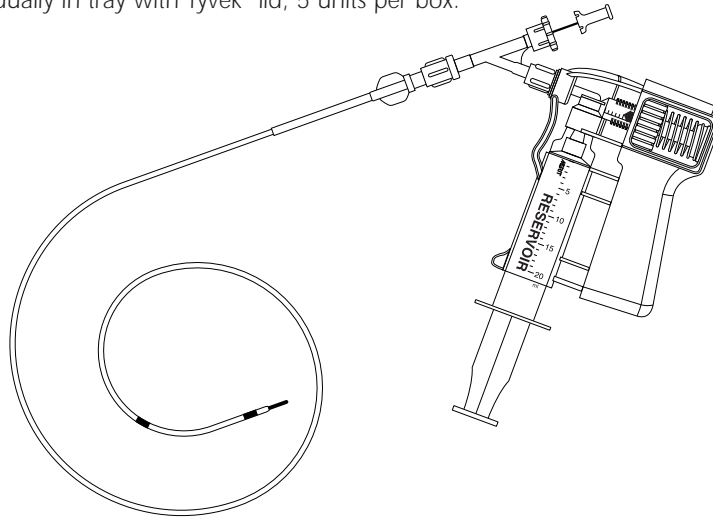
Tyvek® is a registered trademark of Dupont.

FOUNTAIN® INFUSION SYSTEM consists of the 4 French Fountain® Infusion Catheter, matching occluding wire, check relief valve, AccessPLUS™ Hemostasis Valve, 1ml infusion syringe and 20ml reservoir syringe. Packaged and sold individually in tray with Tyvek® lid, 5 units per box.



Catheter Length	Infusion Length 5cm	Infusion Length 10cm	Infusion Length 20cm	Infusion Length 30cm	Infusion Length 40cm	Infusion Length 50cm
45cm		FIS4-45-10	FIS4-45-20			
90cm	FIS4-90-5	FIS4-90-10	FIS4-90-20	FIS4-90-30	FIS4-90-40	FIS4-90-50
135cm	FIS4-135-5	FIS4-135-10	FIS4-135-20	FIS4-135-30	FIS4-135-40	FIS4-135-50

FOUNTAIN® INFUSION SYSTEM WITH SQUIRT® consists of the 4 French Fountain® Infusion Catheter, matching occluding wire, AccessPLUS™ Hemostasis Valve, 20ml reservoir syringe and Squirt® Fluid Dispensing System. Packaged and sold individually in tray with Tyvek® lid, 5 units per box.



Catheter Length	Infusion Length 5cm	Infusion Length 10cm	Infusion Length 20cm	Infusion Length 30cm	Infusion Length 40cm	Infusion Length 50cm
45cm		FIS4-45-10SQ	FIS4-45-20SQ			
90cm	FIS4-90-5SQ	FIS4-90-10SQ	FIS4-90-20SQ	FIS4-90-30SQ	FIS4-90-40SQ	FIS4-90-50SQ
135cm	FIS4-135-5SQ	FIS4-135-10SQ	FIS4-135-20SQ	FIS4-135-30SQ	FIS4-135-40SQ	FIS4-135-50SQ

Tyvek® is a registered trademark of Dupont.