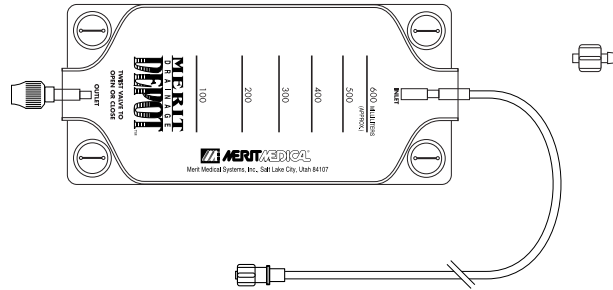
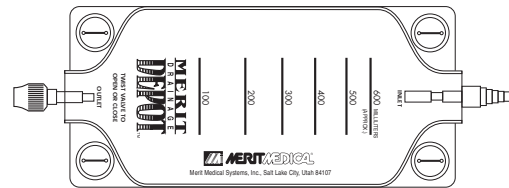


**MERIT® DRAINAGE DEPOT** with clear 600 ml PVC bag, 24" (61cm) kink-resistant adjustable tubing with fixed male luer, twist drain valve and Velcro® \*\* strap. Additional male luer. Packaged 20 units per box, 4 boxes per case.



CATALOG NUMBER MDD600  
FZ624 with soft cloth backing

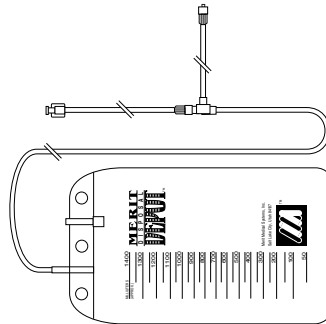
**MERIT® DRAINAGE DEPOT** with clear 600 ml PVC bag, stepped adapter, twist drain valve and Velcro® \*\* strap. Packaged 20 units per box, 4 boxes per case.



CATALOG NUMBER MDD610  
FZ610 with soft cloth backing

**ABSCESS DRAINAGE KIT**

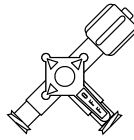
Packaged 15 units per box,  
4 boxes per case.



CATALOG NUMBER K10-00230 ABSCESS DRAINAGE KIT (OSHA compliant closed waste system)

\*\* Velcro®—registered trademark of Velcro Industries

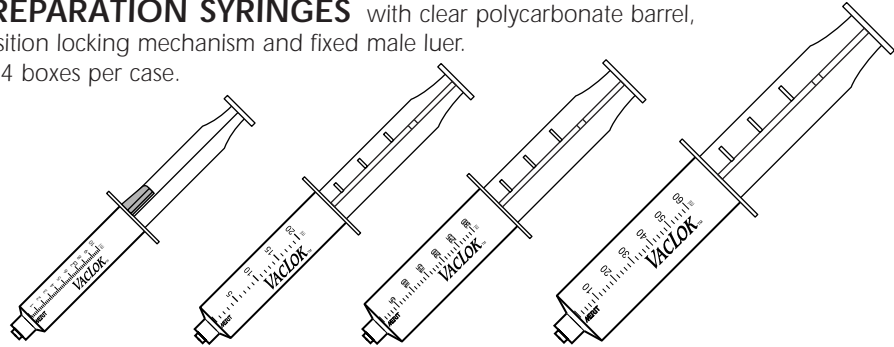
**MARQUIS® SERIES LARGE BORE STOPCOCK** with Swivel Nut.  
 Packaged 50 units per box, 4 boxes per case.



50 PSI  
 (3.5 BAR)

3-way	L3SNC
4-way	L4SNC

**VACLOK® NEGATIVE PREPARATION SYRINGES** with clear polycarbonate barrel, white plunger, one, four or six position locking mechanism and fixed male luer.  
 Packaged 20 or 25 units per box, 4 boxes per case.



10ml one position 25/box	20ml four position 20/box	30ml six position 20/box	60ml six position 25/box
--------------------------------	---------------------------------	--------------------------------	--------------------------------

CATALOG NUMBER	VAC111	VAC120	VAC130	VAC160
----------------	--------	--------	--------	--------

**CONNECTION TUBES** Packaged 25 units per box, 4 boxes per case.



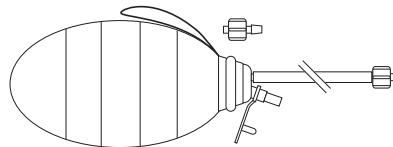
CATALOG NUMBER	K08-00952	9" (23cm)	K08-00674	9" (23cm) with 1-way stopcock
	K10-04129	12" (30cm)	K10-04131	12" (30cm) with 1-way stopcock
	K10-04130	16.5" (40cm)	K10-04132	16.5" (40cm) with 1-way stopcock

**FLUID ADMINISTRATION SET** Packaged 25 units per box, 4 boxes per case.

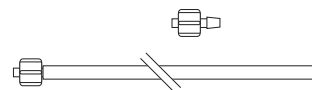


CATALOG NUMBER	FAS5248	48" Length (122cm) LARGE BORE TUBING SET WITH NON-VENTED SPIKE
----------------	---------	--

**DRAINAGE KIT** 16" (41cm) connection tube with barbed male luer.  
 Packaged 25 units per box, 4 boxes per case.



JACKSON-PRATT  
 100ml BULB



TUBING KIT WITH  
 BARBED MALE LUER

CATALOG NUMBER	K08-01907*	K08-02027*
----------------	------------	------------

\* Not available in countries where CE mark is required.