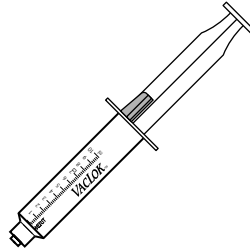


VACLOK® SYRINGES negative preparation syringes with clear polycarbonate barrel, white plunger, one position locking mechanism and fixed male luer. Packaged 25 units per box, 4 boxes per case.

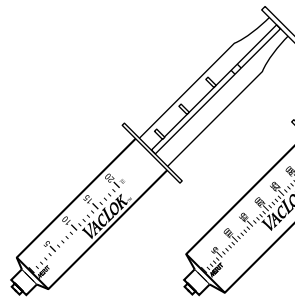


10ml
one position

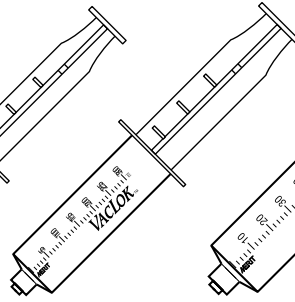
CATALOG NUMBER

VAC111

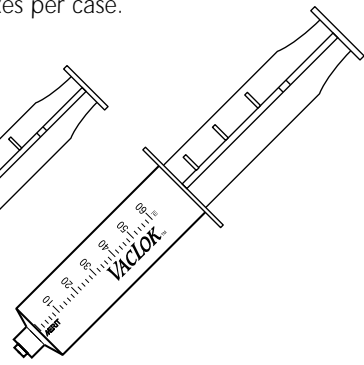
VACLOK® SYRINGES negative preparation syringes with clear polycarbonate barrel, white plunger, four or six position locking mechanism and fixed male luer. Packaged 20 units per box, 4 boxes per case.



20ml
four position



30ml
six position



60ml
six position

CATALOG NUMBER

VAC120

VAC130

VAC160