

RAPID RESPONSE ANGIOGRAPHY KITS including:

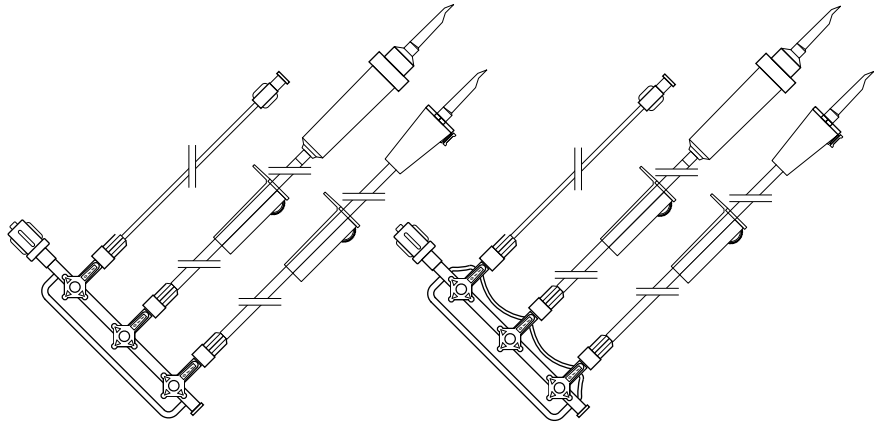
Merit® Manifold with rotating male adapter and right port orientation.

48" (122cm) Pressure monitoring line with female luer.

Fluid administration line with 72" (183cm) small bore tubing, roller clamp and non-vented / non-filtered macro drip chamber.

Contrast administration line with 72" (183cm) large bore tubing, roller clamp and user-selectable vented spike.

Packaged 5 kits per box, 4 boxes per case.



Half Body
"ON" Handle

Half Body
"OFF" Handle

Block Body
"ON" Handle

CATALOG NUMBERS

K09-00001

K09-00002

K09-00003

RAPID RESPONSE ANGIOGRAPHY KIT including:

Merit® Manifold with rotating male adapter and right port orientation.

48" (122cm) Pressure monitoring line with female luer.

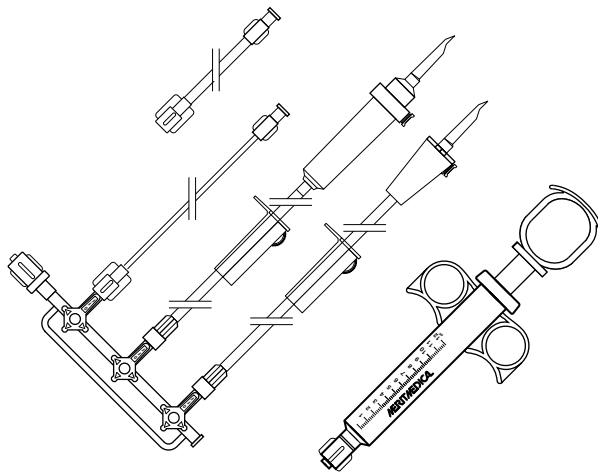
Fluid administration line with 72" (183cm) small bore tubing, roller clamp and vented / filtered macro drip chamber.

Contrast administration line with 72" (183cm) large bore tubing, roller clamp and user-selectable vented spike.

12ml Control Syringe

48" (122cm), 900 psi (62 bar) high pressure injection tubing.

Packaged 25 kits per box, 4 boxes per case.



Half Body
"OFF" Handle

CATALOG NUMBER

K09-01937