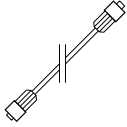
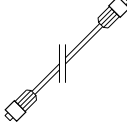
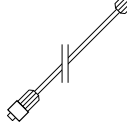
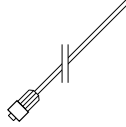
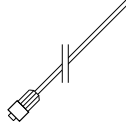
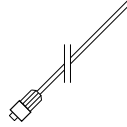

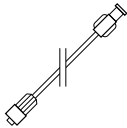
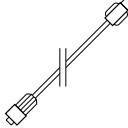
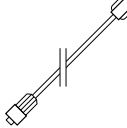
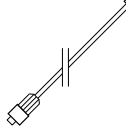
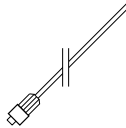


RIGID NON-EXPANDING, PVC PRESSURE MONITORING LINE

Packaged coiled, 25 units per box, 4 boxes per case.

							
Male to Male	6" Length (15 cm)	12" Length (30 cm)	24" Length (61cm)	36" Length (91cm)	48" Length (122cm)	60" Length (152cm)	72" Length (183cm)
CATALOG NUMBER	PM6006	PM6012	PM6024	PM6036	PM6048	PM6060	PM6072



					
Male to Female	6" Length (15 cm)	12" Length (30 cm)	24" Length (61cm)	36" Length (91cm)	48" Length (122cm)
CATALOG NUMBER	PM6106	PM6112	PM6124	PM6136	PM6148
Male to Female	60" Length (152cm)	72" Length (183cm)	84" Length (213cm)	96" Length (244cm)	
CATALOG NUMBER	PM6160	PM6172	PM6184	PM6196	