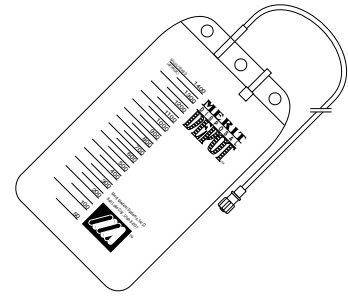


MERIT® DISPOSAL DEPOT

with clear 1400 ml PVC bag, 72" (183cm) large bore tubing and fixed male luer.
Packaged 20 units per box, 4 boxes per case.

CATALOG NUMBER

MDD100

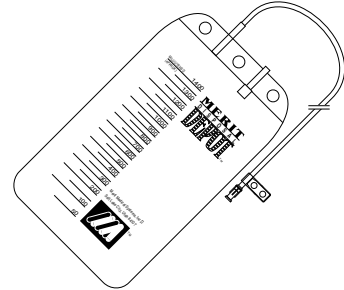


MERIT® DISPOSAL DEPOT

with clear 1400ml PVC bag, 72" (183cm) large bore tubing,
drape clip and one-way check valve with female luer.
Packaged 20 units per box, 4 boxes per case.

CATALOG NUMBER

MDD110

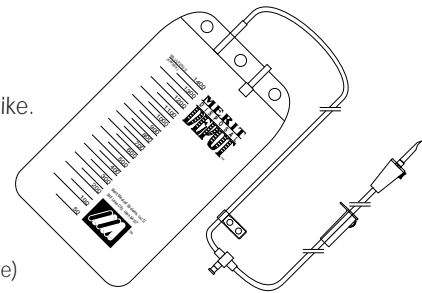


MERIT® DISPOSAL DEPOT

with clear 1400ml PVC bag, 48" (122cm) large bore tubing and drape clip.
Includes check relief valve with female luer and a fluid administration set
with 72" (183cm) large bore tubing, roller clamp and user selectable vented spike.
Packaged 20 units per box, 4 boxes per case.

CATALOG NUMBER

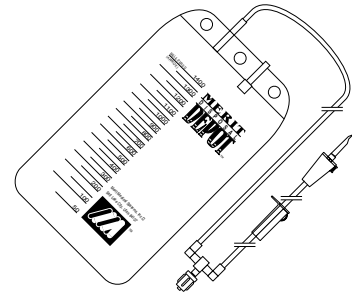
MDD200H
MDD220H (With optional reflux valve)



MERIT® DISPOSAL DEPOT with clear 1400ml PVC bag and
48" (122cm) large bore tubing. Includes check relief valve with rotating luer
and a fluid administration set with 72" (183cm) large bore tubing, roller clamp
and user-selectable vented spike.
Packaged 20 units per box, 4 boxes per case.

CATALOG NUMBER

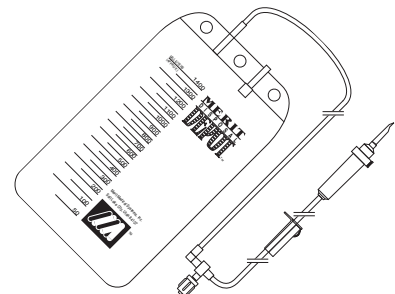
MDD300H



MERIT® DISPOSAL DEPOT with clear 1400ml PVC bag and
48" (122cm) large bore tubing. Includes check relief valve with rotating luer
and a fluid administration set with 72" (183cm) small bore tubing, roller clamp
and user-selectable vented drip chamber with micro filter.
Packaged 20 units per box, 4 boxes per case.

CATALOG NUMBER

MDD400H

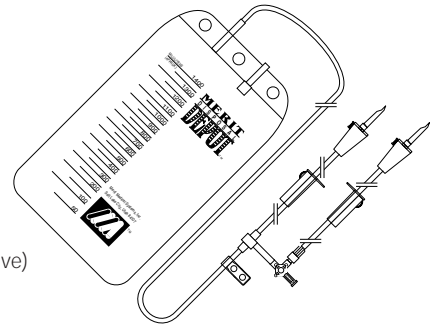


MERIT® DISPOSAL DEPOT with clear 1400ml PVC bag, 48" (122cm) large bore tubing and drape clip. Includes check relief valve, rotating luer and standard pressure 3-way Marquis® Stopcock. Two fluid administration sets with 72" (183cm) large bore tubing (green striped contrast line), roller clamps and user-selectable vented spikes. Packaged 20 units per box, 4 boxes per case.

CATALOG NUMBER

MDD500H

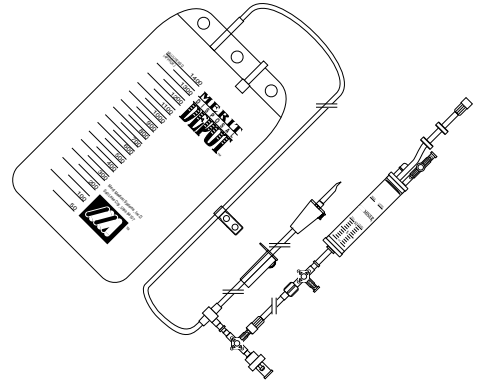
MDD520H (With optional reflux valve)



MERIT® DISPOSAL DEPOT with clear 1400ml PVC bag, 48" (122cm) large bore tubing and drape clip. Includes check relief valve, standard pressure 3-way Marquis® Stopcock, one fluid administration set with 72" (183cm) large bore tubing, roller clamp and user-selectable vented spike. Also includes a bonded Miser® Contrast Management System (CMS). Packaged 4 units per box, 4 boxes per case.

CATALOG NUMBER

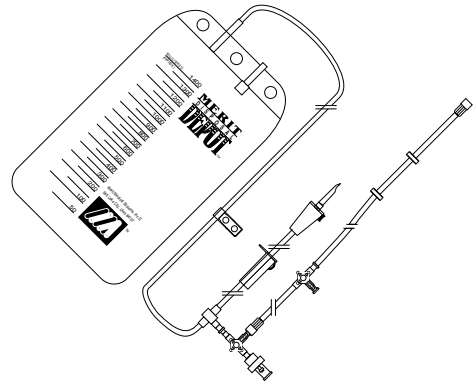
K10-00576



MERIT® DISPOSAL DEPOT with clear 1400ml PVC bag, 48" (122cm) large bore tubing and drape clip. Includes check relief valve, standard pressure 3-way Marquis® Stopcock one fluid administration set with 72" (183cm) large bore tubing, roller clamp and user-selectable vented spike. Also includes a bonded In-Line Contrast Management System (CMS). Packaged 8 units per box, 4 boxes per case.

CATALOG NUMBER

K10-00577



MERIT® DISPOSAL DEPOT with clear 1400ml PVC bag, 12" (30.5cm) bifurcated large bore tubing, (right) 60" (152 cm) large bore para tubing with check relief valve and male rotating luer, (left) 60" (152 cm) large bore peel-away tubing with check relief valve, female luer reflux valve and drape clip. Both lines connect to 12" (30.5 cm) large bore FAS line with roller clamp and user-selectable vented spike. Packaged 15 units per box, 4 boxes per case.

CATALOG NUMBER

K10-01103

