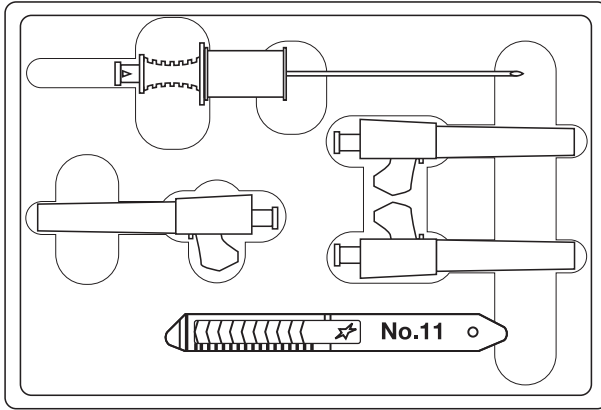
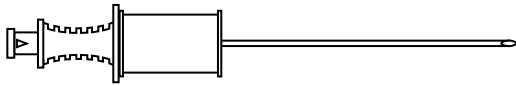


**A•S•K MERIT ACCESS SAFETY KIT®** A vascular access kit designed to comply with the Needlestick Safety and Prevention Act (H.R. 5178). The access safety kit incorporates new shielded technology that helps minimize the risk of sharps injuries associated with gaining vascular access.

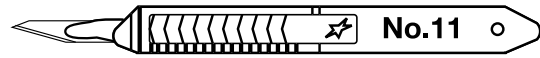


CATALOG NUMBER

**ASK200\***



(1) 18g 2 3/4" (7cm) SecureLoc™ angiographic needle



(1) #11 Futura® Safety Scalpel

In addition to a safety angiographic needle, the kit contains the following items:

- (1) 18g 1" (2.5cm) shielded hypodermic needle
- (1) 25g 1" (2.5cm) shielded hypodermic needle
- (1) 22g 1 1/2" (3.8cm) shielded hypodermic needle

\* Not available in countries where CE mark is required.